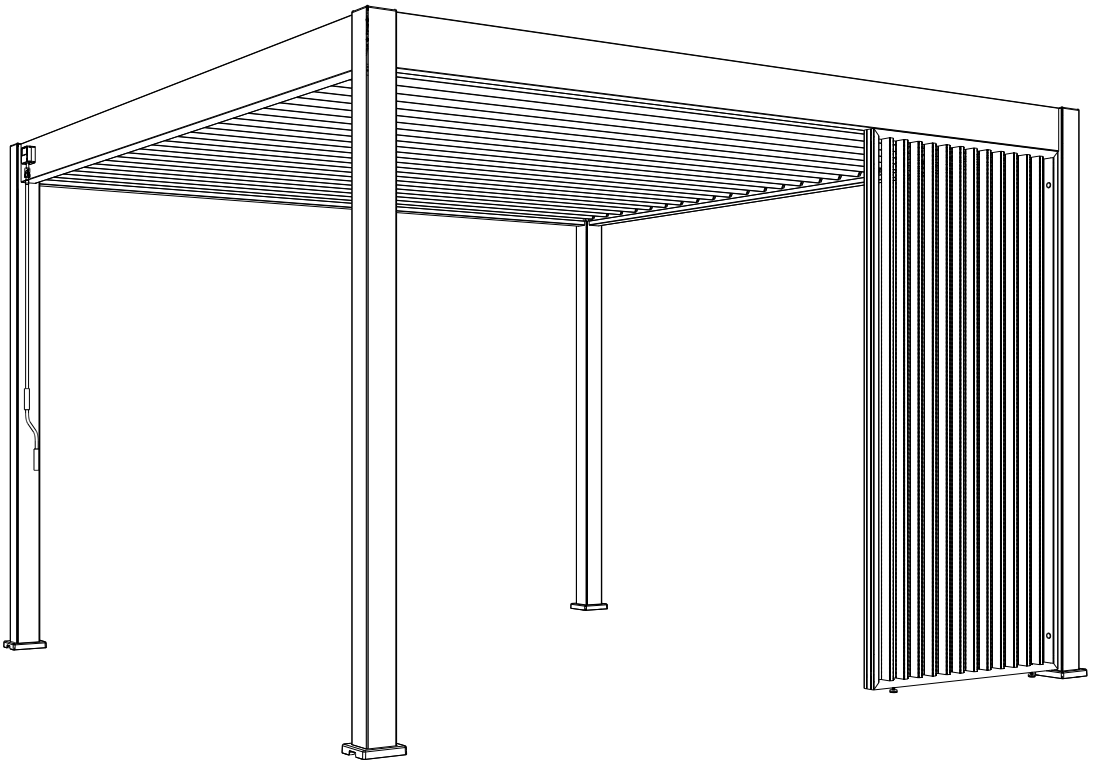


live life outside

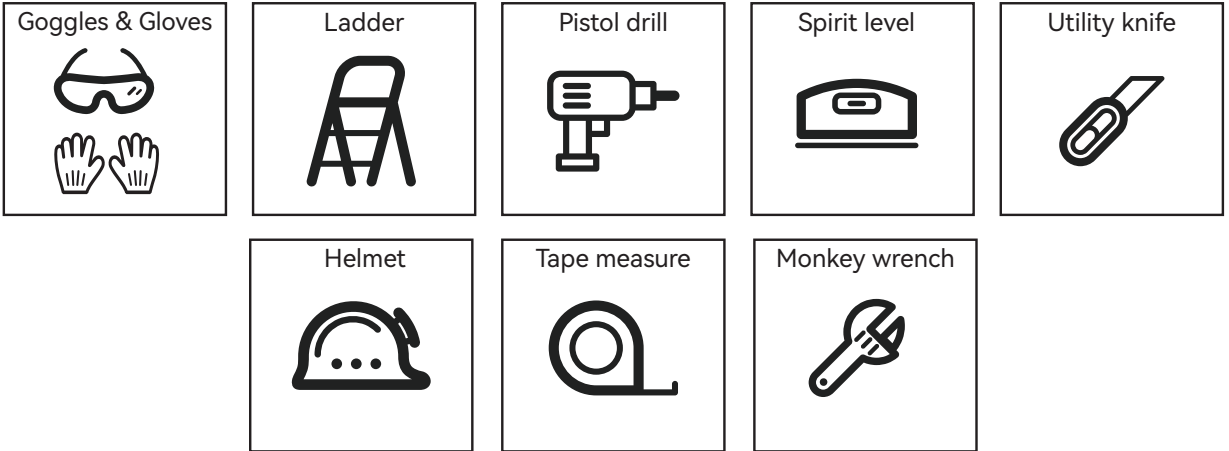
FORAVIDA

Vertical Privacy Panel

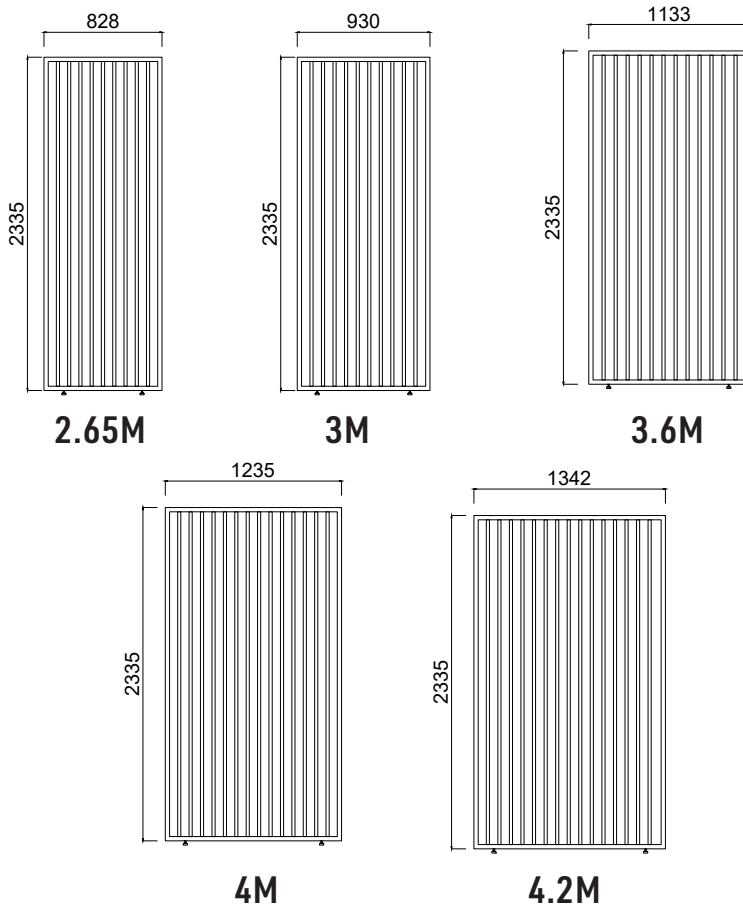
Assembly Instructions




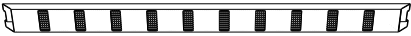
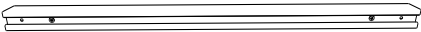

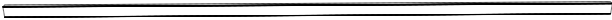
NECESSARY TOOLS AND SAFETY GEAR (NOT SUPPLIED)










2D&3D FOOTING MEASUREMENT





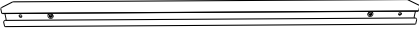

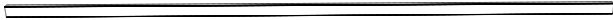
CARTON 2.65M





Reference	Parts	Quantity
S1		2
T1		1
T2		1
H1		2
R1		9

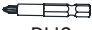


Reference	Parts	Quantity
W1	 3.9x25	6
W2		2
W3		4
W4		8

Reference	Parts	Quantity
W5	 PH2	1
W6		4
W7	 4mm	1



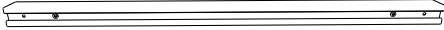

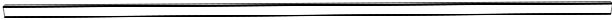
CARTON 3M





Reference	Parts	Quantity
S1		2
T1		1
T2		1
H1		2
R1		10




Reference	Parts	Quantity
W1	 3.9x25	6
W2		2
W3		4
W4		8

Reference	Parts	Quantity
W5	 PH2	1
W6		4
W7	 4mm	1






CARTON 3.6M





Reference	Parts	Quantity
S1		2
T1		1
T2		1
H1		2
R1		12




Reference	Parts	Quantity
W1	 3.9x25	6
W2		2
W3		4
W4		8

Reference	Parts	Quantity
W5	 PH2	1
W6		4
W7	 4mm	1



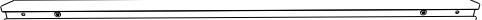

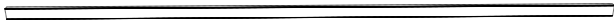
CARTON 4M





Reference	Parts	Quantity
S1		2
T1		1
T2		1
H1		2
R1		14




Reference	Parts	Quantity
W1	 3.9x25	6
W2		2
W3		4
W4		8

Reference	Parts	Quantity
W5	 PH2	1
W6		4
W7	 4mm	1

CARTON 4.2M

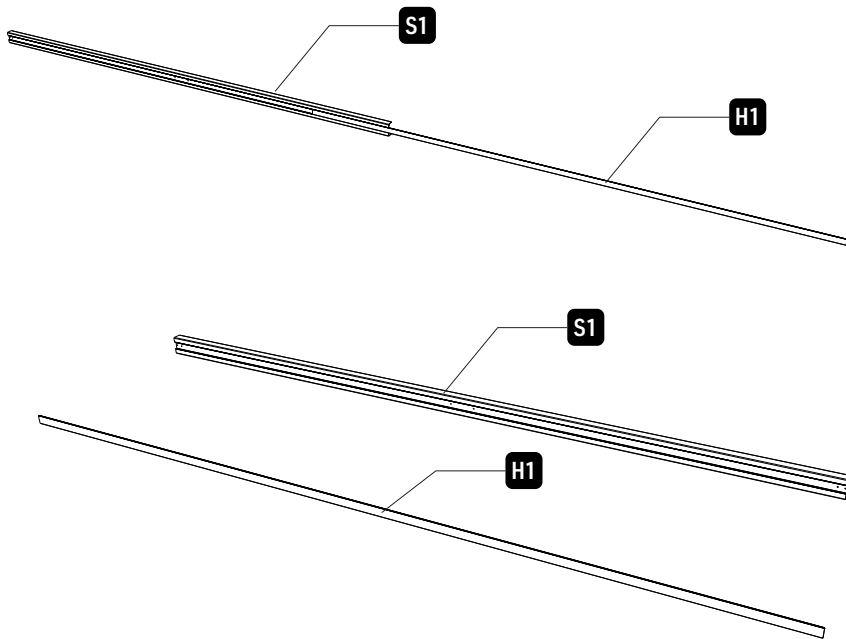
Reference	Parts	Quantity
S1		2
T1		1
T2		1
H1		2
R1		15

Reference	Parts	Quantity
W1	 3.9x25	6
W2		2
W3		4
W4		8

Reference	Parts	Quantity
W5	 PH2	1
W6		4
W7	 4mm	1

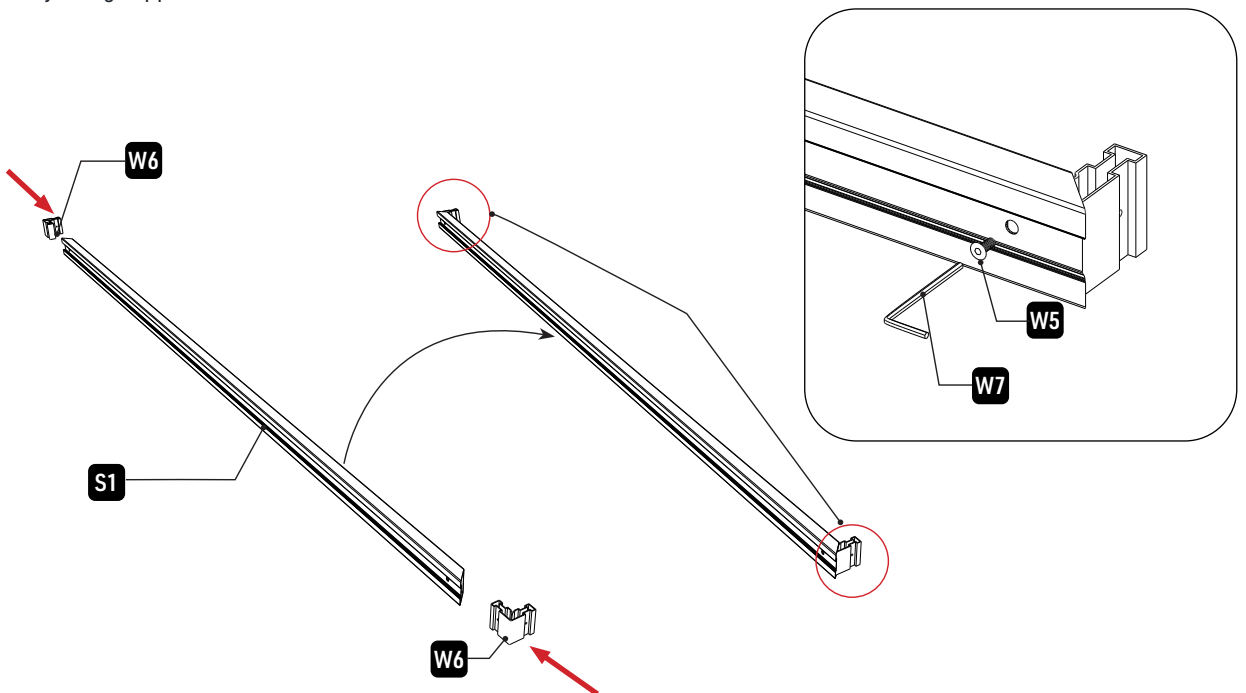
STEP 1

Please first detach the edging strips(H1) from the side frames(S1) of the privacy panel.



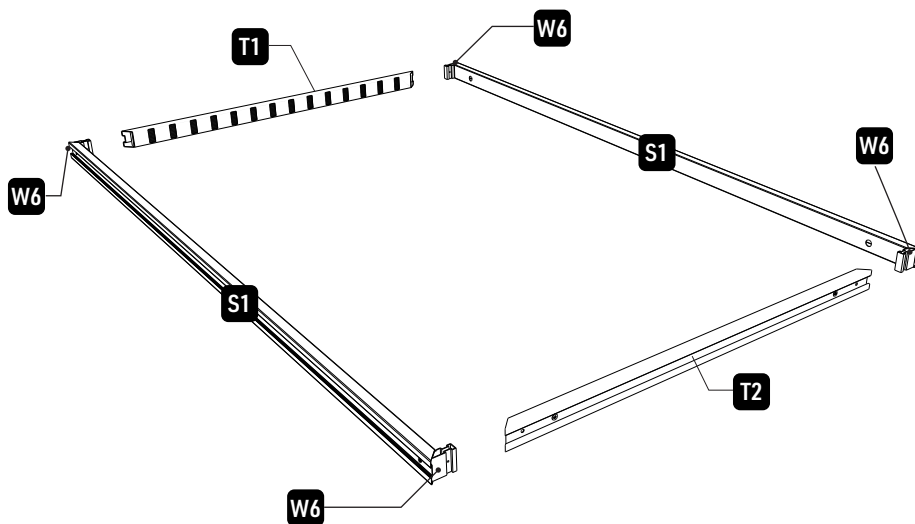
STEP 2

Place the corner connector(W6) into the frame(S1) of privacy panel, then fix the corner connector(W6) by using supplied screw(W5).



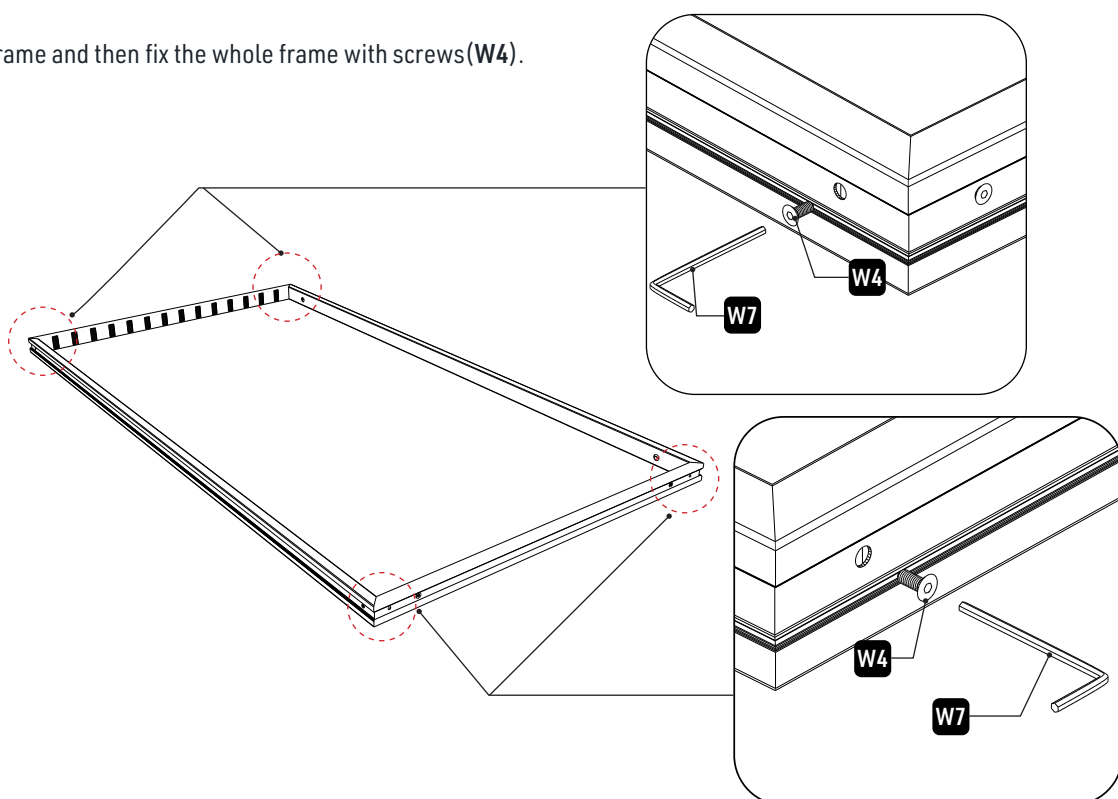
STEP 3

Place the privacy panel frame as the diagram shows below.



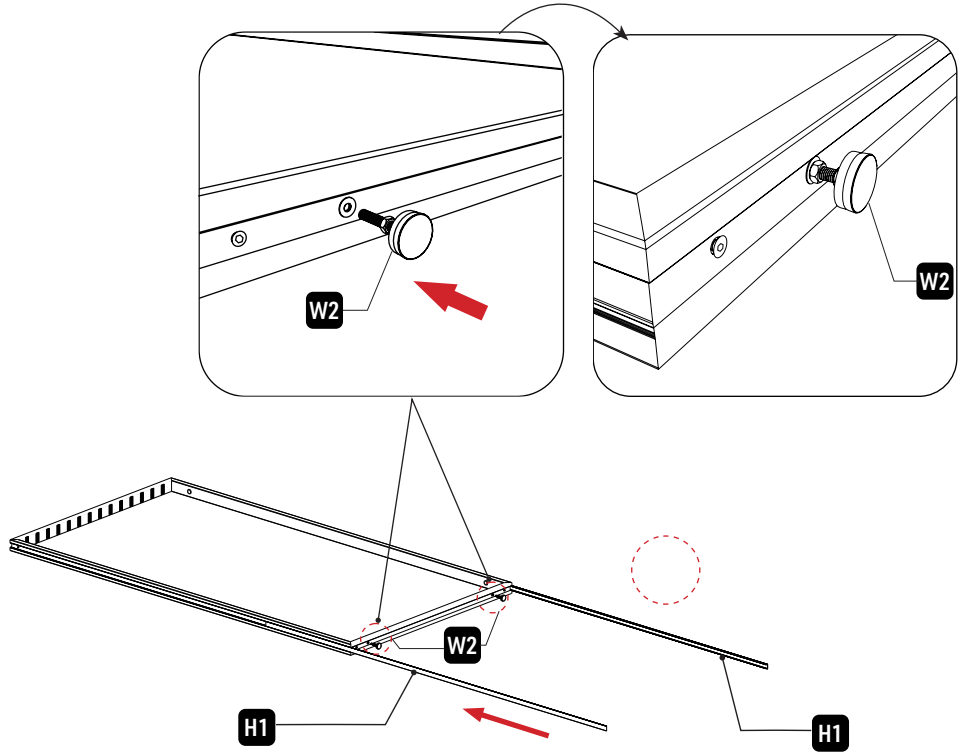
STEP 4

Connect the frame and then fix the whole frame with screws (W4).



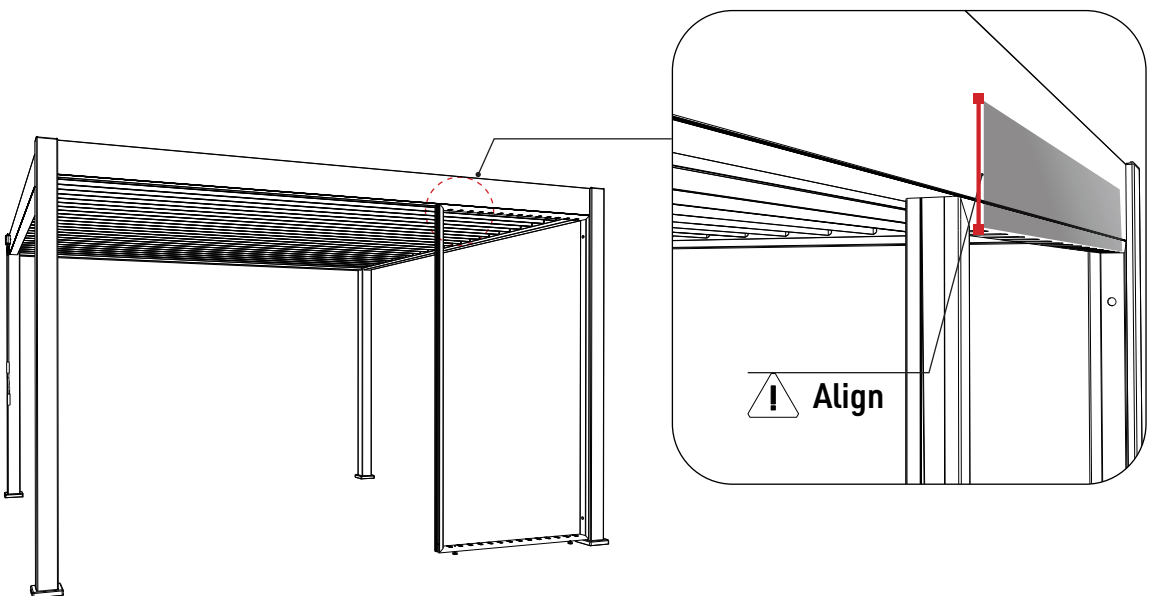
STEP 5

Install the adjustable base under the bottom frame, please note that do not screw the adjustable base too tight.



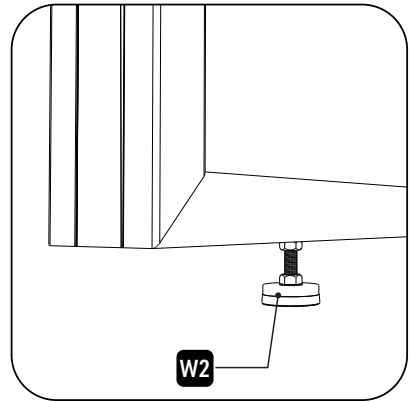
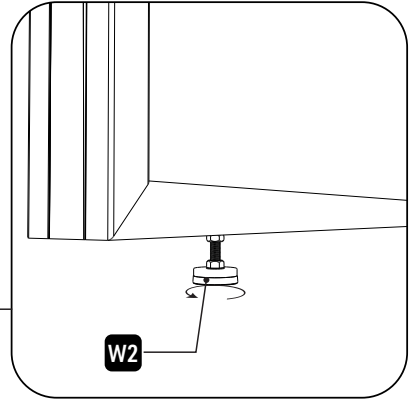
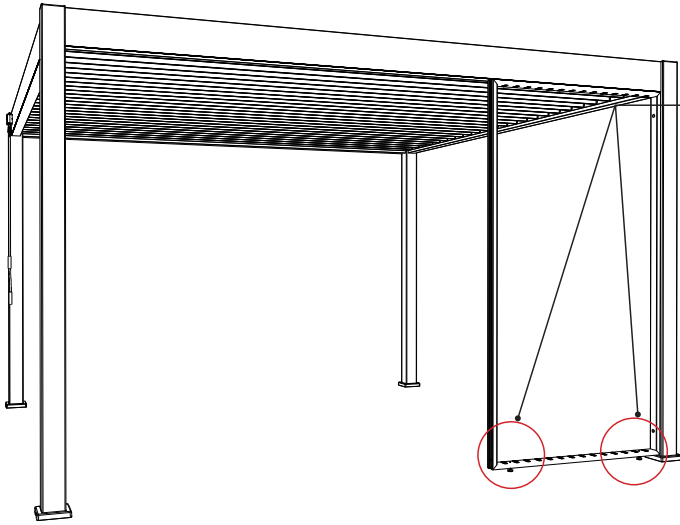
STEP 6

- Place the privacy panel frame under the pergola as the diagram shows below.
- Attention! The privacy panel should be aligned with the outer side of the beam.



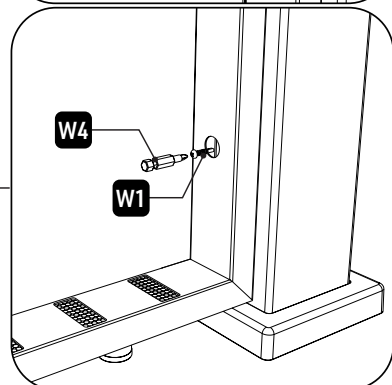
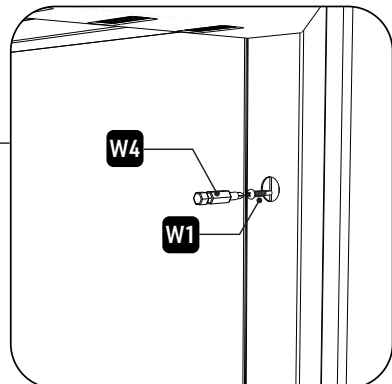
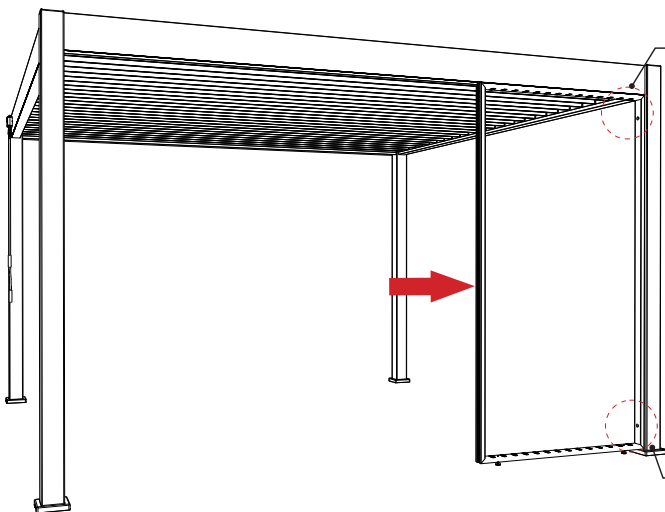
STEP 7

Adjust the adjustable bases again to make sure they just stand on the ground.



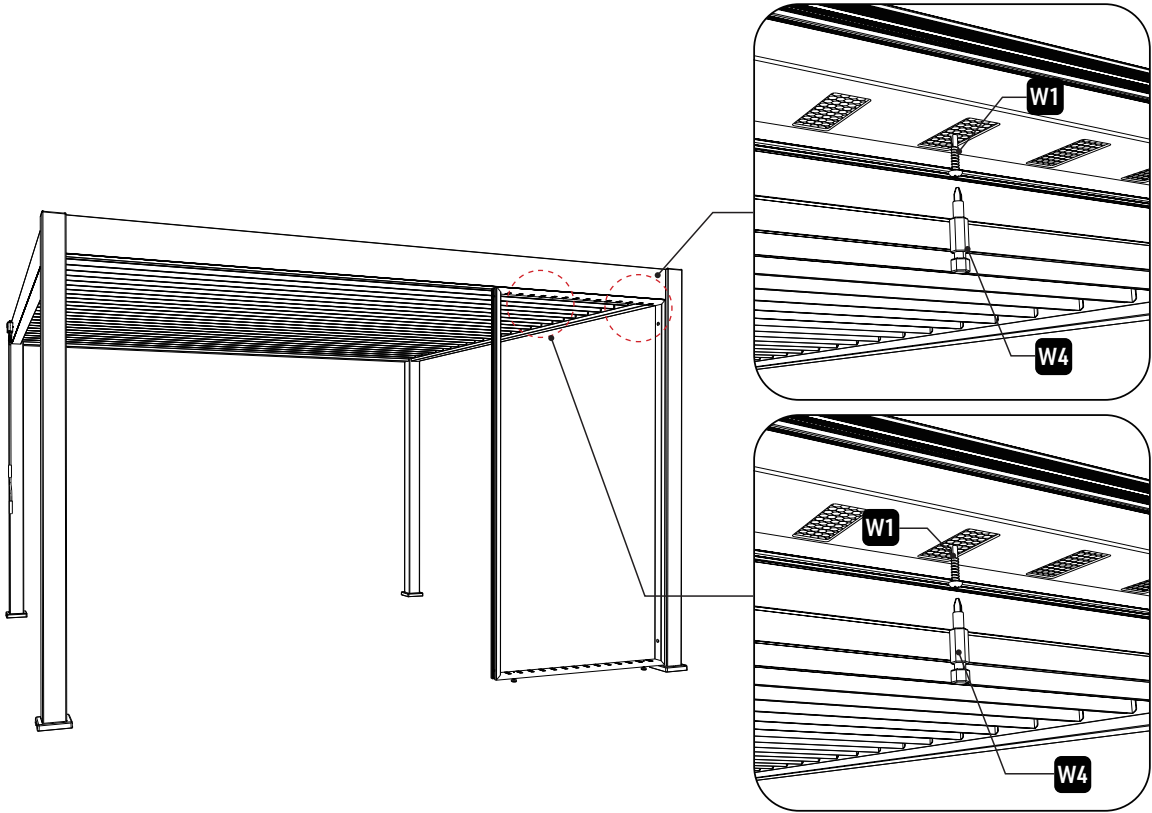
STEP 8

Fix the side frame of the privacy panel by using screws (W1) as the diagram shows below.



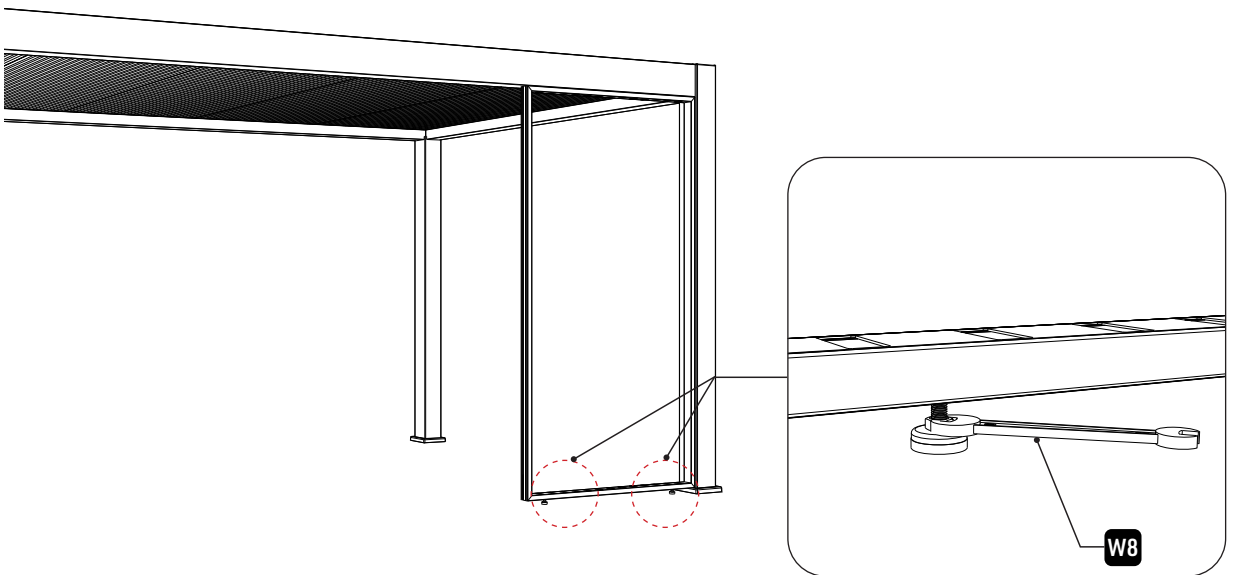
STEP 9

Fix the upper frame of the privacy panel by using screws (W1) as the diagram shows below.



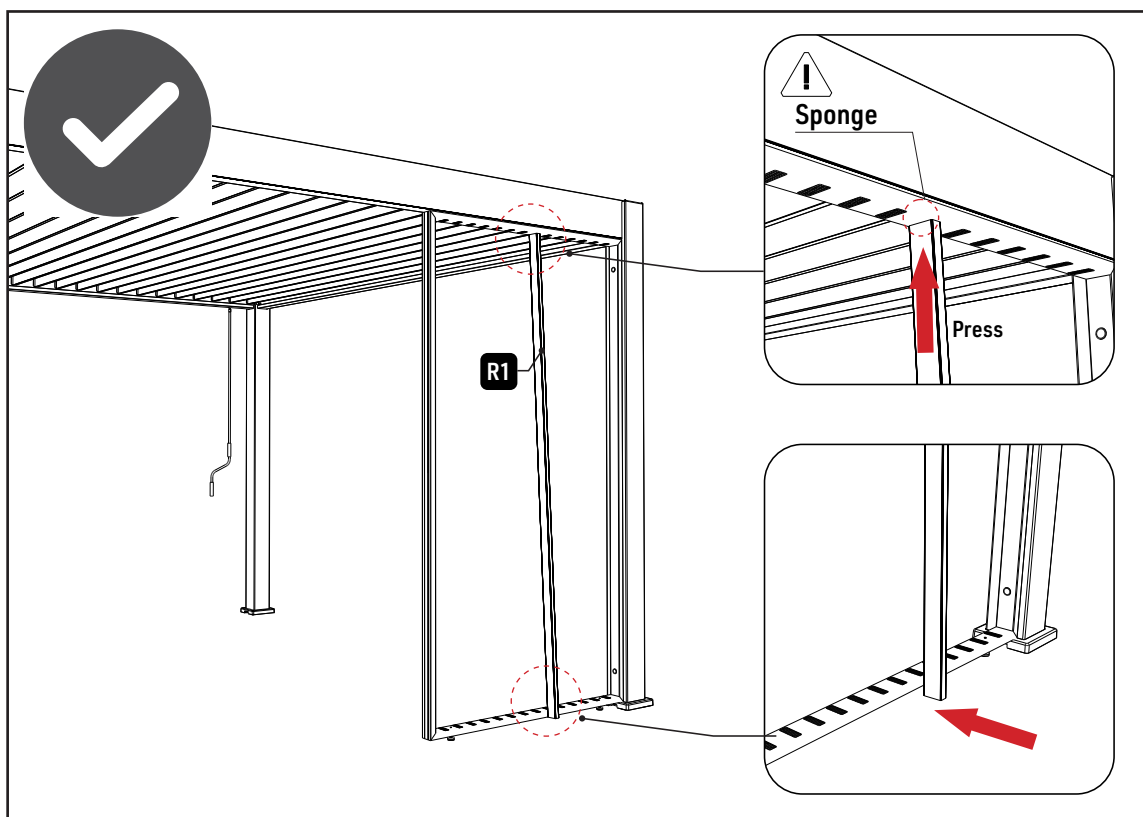
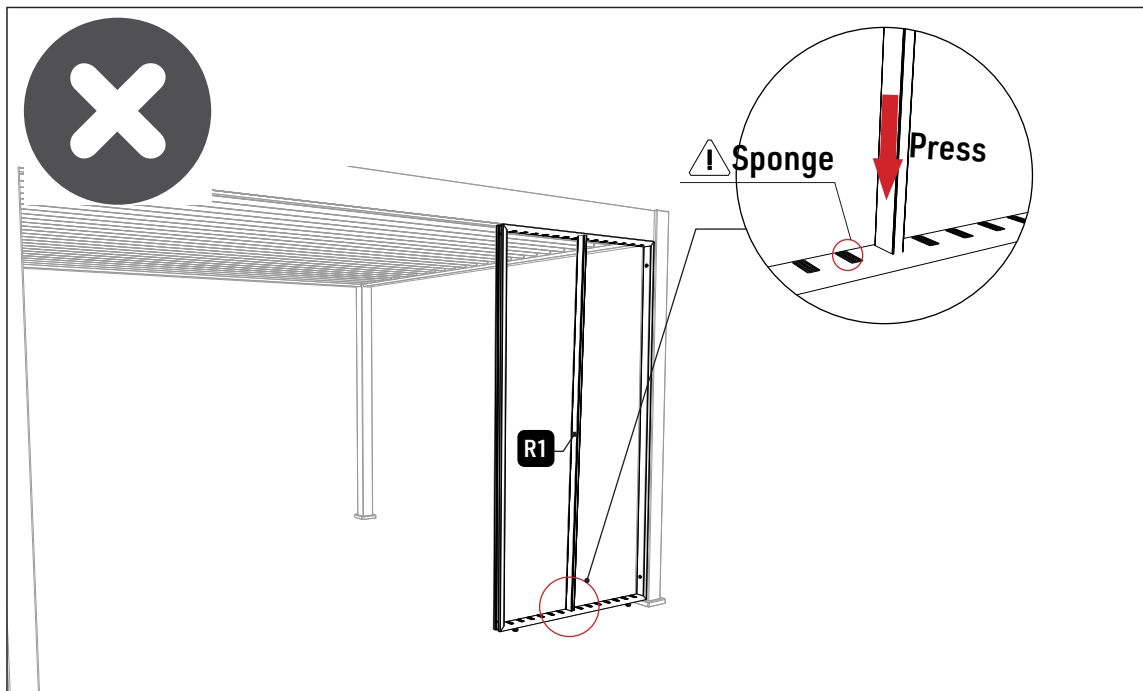
STEP 10

Use a wrench to reinforce it.

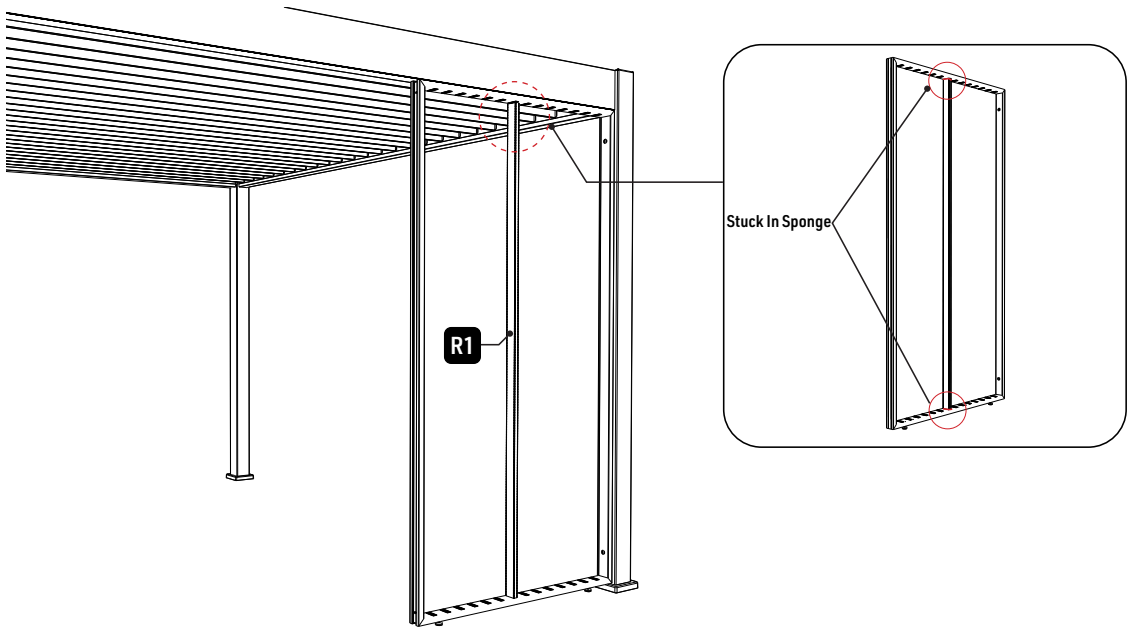


STEP 11

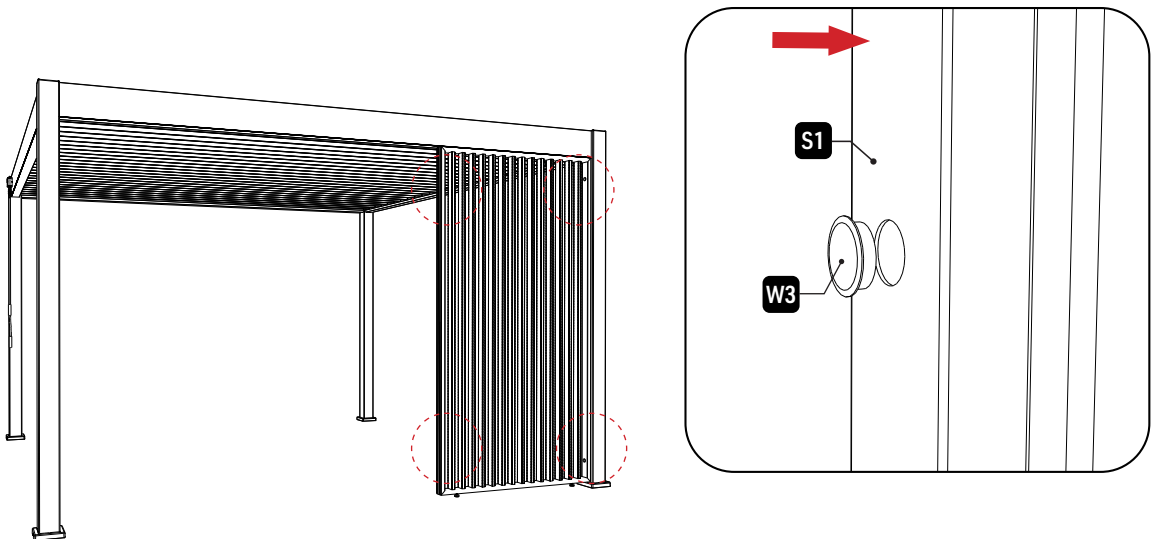
! Attention! During the installation, please insert the upper end of the column into the sponge firstly, then place the bottom end into the sponge.



STEP 12

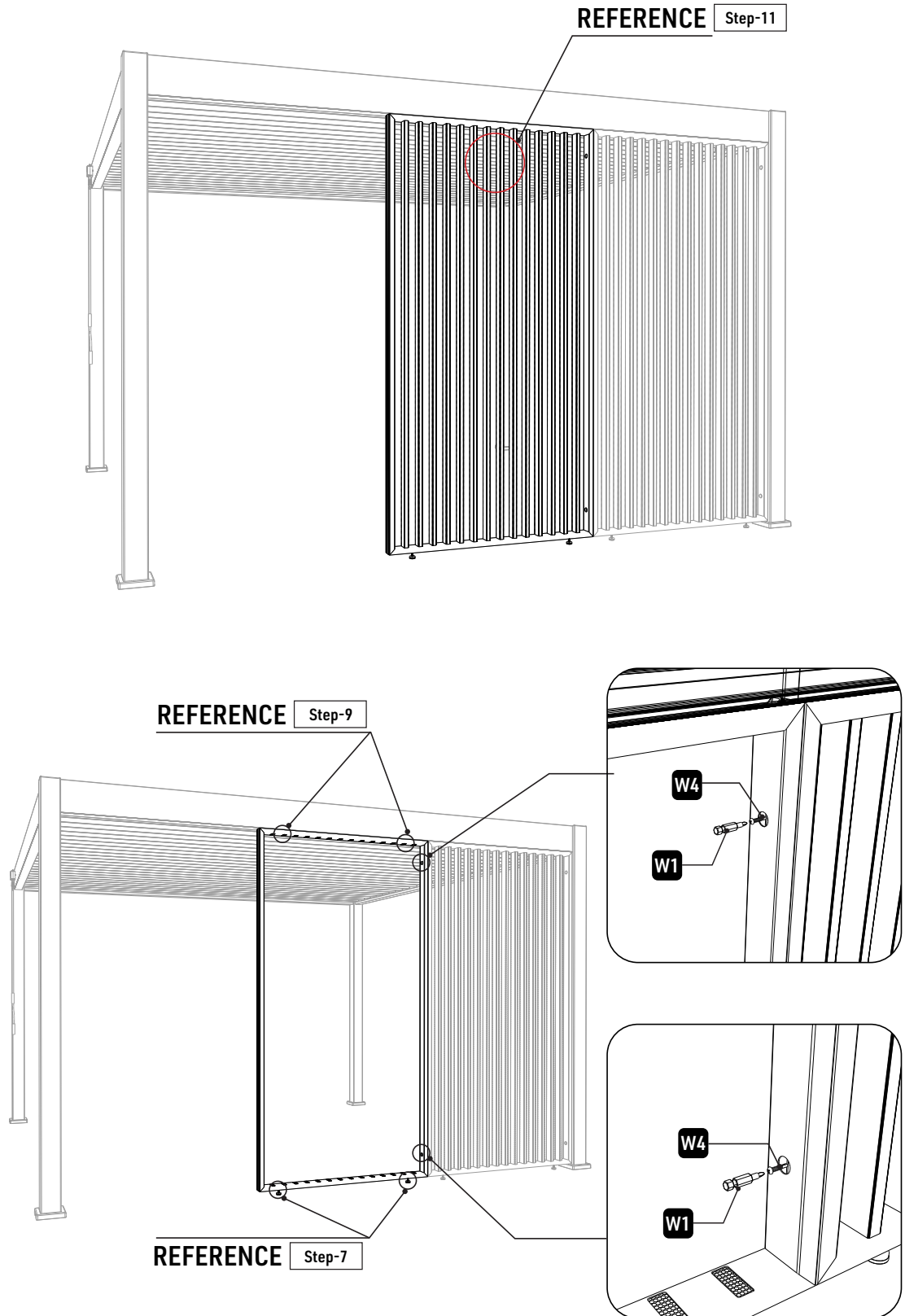


Please cover the hole on the privacy panel side frame(**S1**) with plastic caps(**W3**).



ADD+1

When installing two privacy panels, please repeat the same installation steps as above.



ADD+2

When installing three privacy panels, please repeat the same installation steps as above.
Just remember when there is any connection, you always need to fix the privacy panel frame according to step 8.

